

SPECIFICATIONS

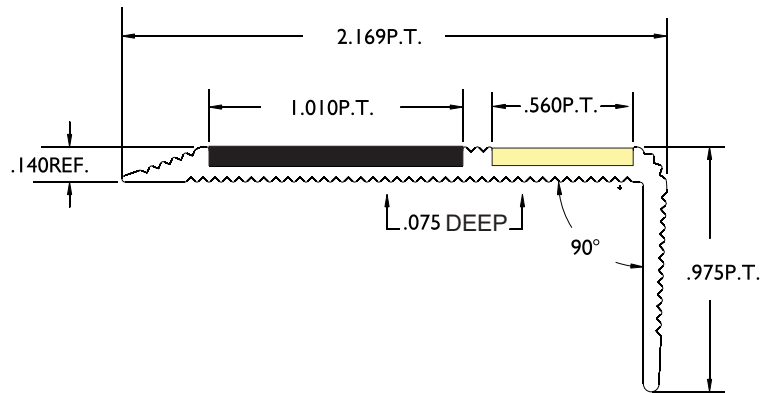
Aluminum Stair Nosing - Bull Nosing



ITEM NO: BPL307BNA

- Dimensions: Width 2.169", Specify Custom Length up to 12'
- Applications: Anti-skid stair tread marking, intended for indoor and outdoor.
- Installation: Apply to clean surface with high strength adhesive or screws.
Minimum 1 foot-candle (2.1 lux) external illumination must be present on the marker at all times of building occupancy.
- Charging Time: Initial charging time is 60 minutes.
- Substrate: Extruded Aluminum
- Features: UV Stable, durable, long lasting, non-radioactive, non-hazardous, easy to install, easy to clean, reliable
- Compliance: UL 1994 Approved Photoluminescent Material, per IBC/IFC 2009
- Slip Resistance: UL410, Standard for Slip Resistance

The BPL307 BPL307BNA Bull Nose Stair Nosing is constructed out of extruded aluminum for optimal durability. Our proprietary anti-skid black substrate with embedded aggregate allows for heavy traffic and extended longevity. Our 1/2 inch PL glow is a poured and baked in system, not just merely taped on or a painted on system. Our bull nose stair nosing has a wrap around edge ideal for use over carpet or for covering up rough edges to help the appearance of a damaged step. All of BPL's photoluminescent egress products are designed to facilitate and simplify egress during emergency situations.



2009 IBC/IFC Complaint



Made in the U.S.A.

SPECIFICATIONS

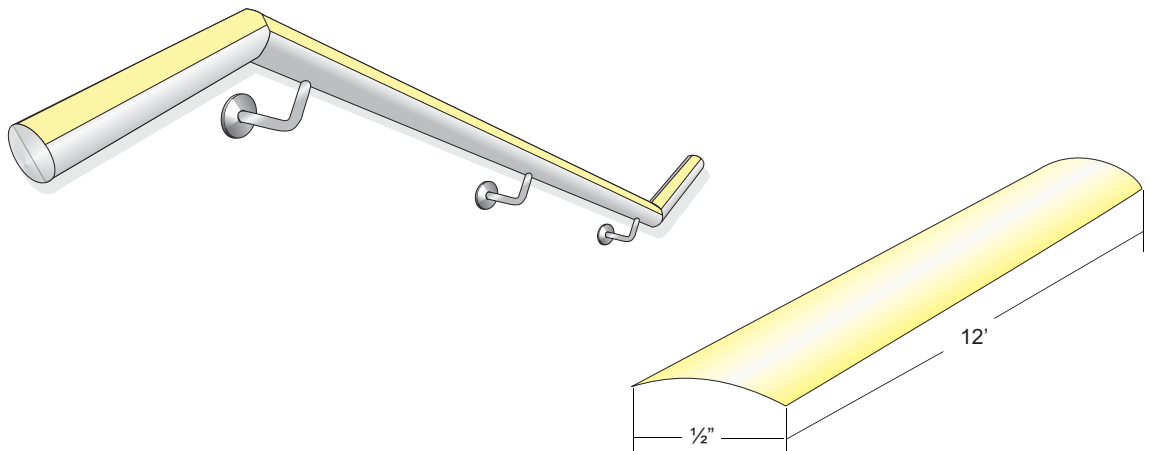
Hand Rail Marker



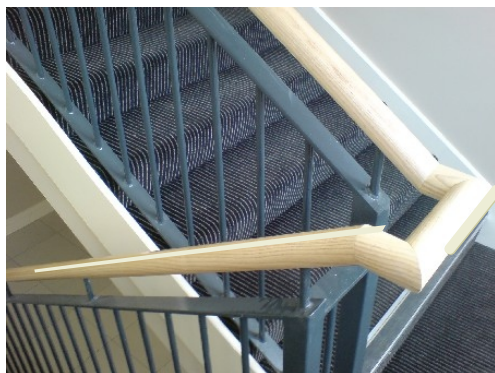
ITEM NO: BPL320AC-CURVED • BPL320AF-FLAT

Dimensions:	1/2" wide, 12' Length, .050 mil thickness
Color:	Photoluminescent
Life Expectancy:	25+ Years
Applications:	Hand Rail Marker indoor use only.
Installation:	Minimum 1 foot-candle (2.1 lux) external illumination must be present on the marker at all times of building occupancy.
Charging Time:	Initial charging time is 60 minutes.
Substrate:	Extruded Aluminum
Features:	Non-electrical, non-radioactive, explosion proof, UV-stable, durable, simple installation and zero maintenance expense
Approvals:	UL 1994 Listed in accordance with IBC 2009 Safety Code
Warranty:	10-year limited warranty to the original customer covering any defects in material or workmanship.

All handrails and handrail extensions shall be marked with a solid and continuous stripe having a minimum width of 1/2 inch (13 mm). The stripe shall be placed on the top surface of the handrail for the entire length of the handrail, including extensions and newel post caps. Where handrails and handrail extensions bend or turn corners, the stripe shall not have a gap more than 4 inches (102 mm).



2009 IBC/IFC Complaint



Made in the U.S.

SPECIFICATIONS

Obstacle Marker

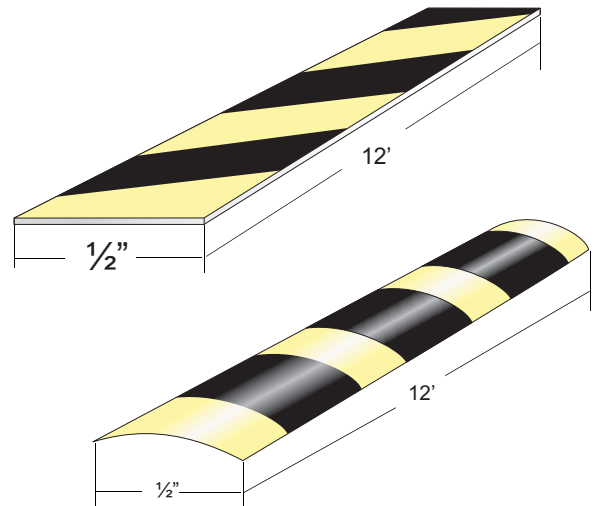
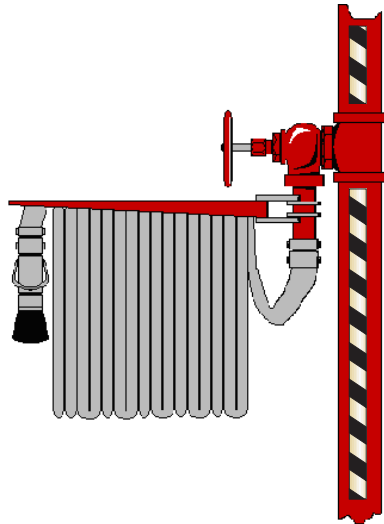


LISTED

ITEM NO: BPL320AC - Curved • BPL320AF - Flat

Dimensions:	1/2" wide, 12' Width, .050 mil thickness
Color:	Photoluminescent
Life Expectancy:	25+ Years
Applications:	Obstacle Marker indoor use only.
Installation:	Minimum 1 foot-candle (2.1 lux) external illumination must be present on the marker at all times of building occupancy.
Charging Time:	Initial charging time is 60 minutes.
Substrate:	Extruded Aluminum
Features:	Non-electrical, non-radioactive, explosion proof, UV-stable, durable, simple installation and zero maintenance expense.
Approvals:	UL 1994 Listed in accordance with IBC 2009 Safety Code
Warranty:	10-year limited warranty to the original customer covering any defects in material or workmanship.

Obstacles at or below 6 feet 6 inches (1981 mm) in height and projecting more than 4 inches (102 mm) into the egress path shall be outlined with markings no less than 1/2 inch (13 mm) in width comprised of a pattern of alternating equal bands of luminescent luminous material and black, with the alternating bands no more than 2 inches (51 mm) thick and angled at 45 degree (0.79 rad). Obstacles shall include, but are not limited to, stand pipes hose cabinets, wall projections and restricted height areas. However, such markings shall not conceal any required information or indicators including, but not limited to, instructions to occupants for the use of stand pipes.



2009 IBC/IFC Complaint



Made in the U.S.A.

SPECIFICATIONS

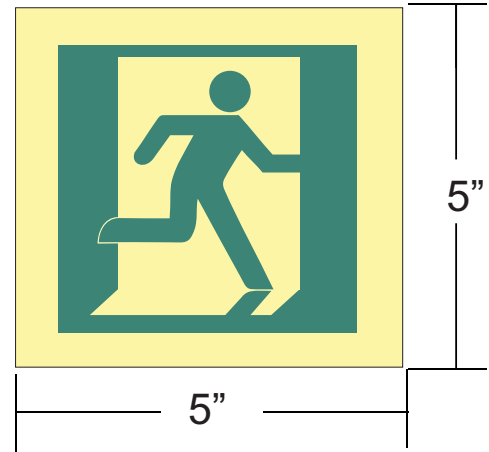
Running Man - NFPA 170



ITEM NO: BPL590 - Left • BPL590R - Right

Dimensions:	5" Height, 5" Width, .070 mil thickness
Letter & Symbol Size:	4" Height
Letter Color:	Green
Background:	Photoluminescent
Life Expectancy:	25+ Years
Applications:	Low Level, indoor use only.
Installation:	Minimum 1 foot-candle (2.1 lux) external illumination must be present on the sign face at all times of building occupancy.
Charging Time:	Initial charging time is 60 minutes.
Sign Substrate:	Photoluminescent self-extinguishing PVC.
Features:	Non-electrical, non-radioactive, explosion proof, UV-stable, durable, minimal installation and maintenance expense.
Approvals:	UL 1994 Listed, in accordance with 2009 IBC Safety Code,
Warranty:	10-year warranty to the original customer covering any defects in material or workmanship.

The doors shall be identified by a low-location luminous emergency exit symbol complying with NFPA 170. The exit symbol shall be a minimum of 4 inches (102 mm) in height and shall be mounted on the door, centered horizontally, with the top of the symbol no higher than 18 inches (457 mm) above the finished floor.



2009 IBC/IFC Complaint



 Made in the U.S.A.

SPECIFICATIONS

Perimeter Demarcation Lines



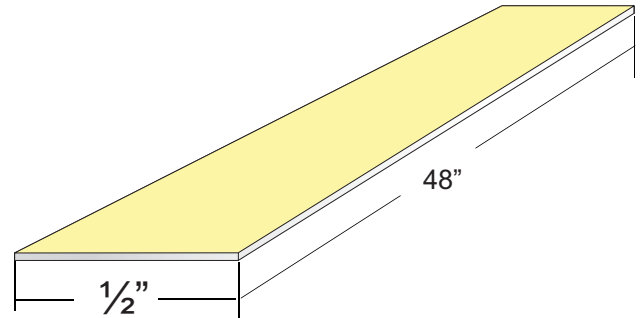
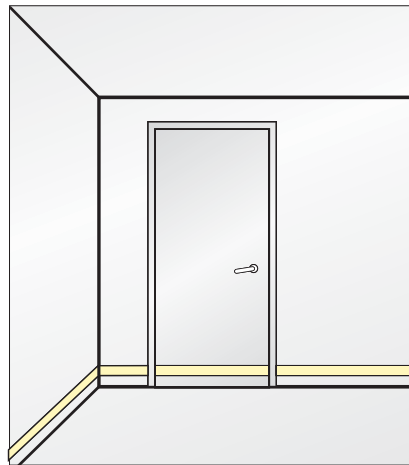
LISTED

BPL710

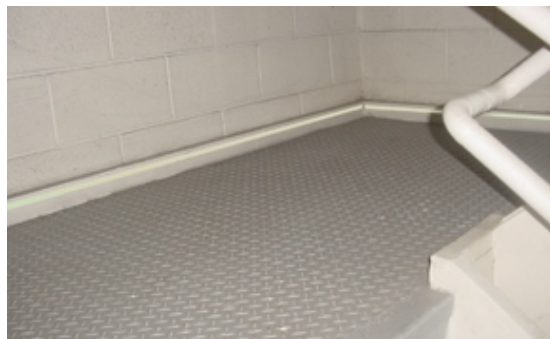
Perimeter Demarcation Lines

- Dimensions: 1/2" wide, 48" Width, .070 mil thickness
- Color: Photoluminescent
- Life Expectancy: 25+ Years
- Applications: Perimeter Demarcation Lines, indoor use only.
- Installation: Minimum 1 foot-candle (2.1 lux) external illumination must be present on the marker at all times of building occupancy.
- Charging Time: Initial charging time is 60 minutes.
- Substrate: Rigid PVC
- Features: Non-electrical, non-radioactive, explosion proof, UV-stable, durable, simple installation and zero maintenance expense
- Approvals: UL 1994 Listed in accordance with IBC 2009 Safety Code
- Warranty: 10-year limited warranty to the original customer covering any defects in material or workmanship.

Perimeter Demarcation Lines: Stair landings and other floor areas within exit enclosures, with the exception of the sides of steps, shall be provided with solid and continuous demarcation lines on the floor or on the walls or a combination of both. The stripes shall be 1/2 to 2 inches (13 mm to 51 mm) wide with interruptions not exceeding 4 inches (102mm). Egress path markings shall be provided in exit enclosures, including vertical exit enclosures and exit passage ways, in accordance with Sections 1024.2.1 through 1024.2.6



2009 IBC/IFC Complaint



Made in the U.S.A.